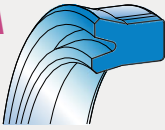
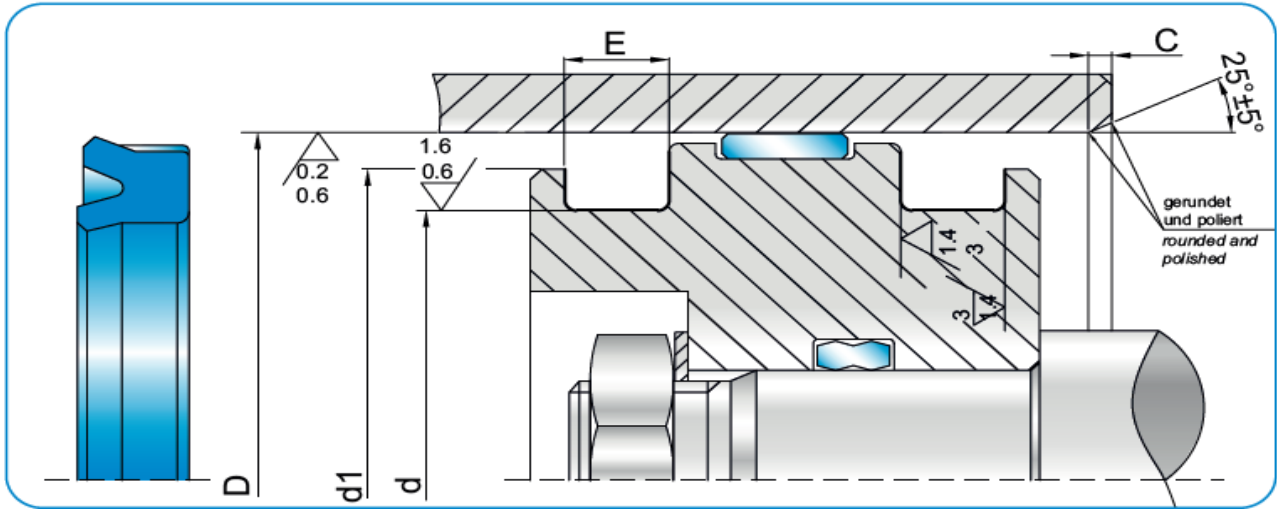


PSA



ARTIC SEALS



D_{H9}	d_{h9}	h	$E_{-0.2}$	d_1^*	C	ARTIKEL / ITEM				
20,0	12,0	6,5	7,5	15,0	4,0	PSA	0200	0120	065	C0
20,0	14,0	5,5	6,0	17,0	3,5	PSA	0200	0140	055	C0
22,0	12,0	8,0	9,0	16,0	5,0	PSA	0220	0120	080	C0
22,0	14,0	5,0	5,5	16,0	5,0	PSA	0220	0140	050	C0
25,0	15,0	8,0	9,0	19,0	5,0	PSA	0250	0150	080	C0
25,0	18,0	5,0	6,0	22,0	5,0	PSA	0250	0180	050	C0
28,0	20,0	7,0	8,0	24,0	5,0	PSA	0280	0200	070	C0
30,0	20,0	8,0	9,0	24,0	5,0	PSA	0300	0200	080	C0
30,0	22,0	6,5	7,0	26,0	5,0	PSA	0300	0220	065	C0
32,0	19,3	7,0	8,0	21,3	5,0	PSA	0320	0193	070	C0
32,0	22,0	10,0	11,0	26,0	5,0	PSA	0320	0220	100	C0
32,0	24,0	5,7	6,3	28,0	4,0	PSA	0320	0240	057	C0
32,0	26,0	5,0	6,0	28,0	3,5	PSA	0320	0260	050	C0
34,0	28,0	5,0	6,0	32,0	3,5	PSA	0340	0280	050	C0
35,0	20,0	10,0	11,0	25,0	5,5	PSA	0350	0200	100	C0
35,0	25,0	8,0	9,0	29,0	5,0	PSA	0350	0250	080	C0
37,0	21,0	12,0	13,0	25,0	6,0	PSA	0370	0210	120	C0
40,0	25,0	10,0	11,0	30,0	6,0	PSA	0400	0250	100	C0
40,0	27,3	7,0	8,0	29,3	5,0	PSA	0400	0273	070	C0
40,0	30,0	6,5	7,5	34,0	5,0	PSA	0400	0300	065	C0
40,0	30,0	10,0	11,0	34,0	5,0	PSA	0400	0300	100	C0
40,0	32,0	5,5	6,5	36,0	4,0	PSA	0400	0320	055	C0
40,0	32,0	4,0	5,0	36,0	4,0	PSA	0400	0320	040	C0
40,0	32,0	8,0	9,0	36,0	4,0	PSA	0400	0320	080	C0
42,0	32,0	10,0	11,0	36,0	5,0	PSA	0420	0320	100	C0
45,0	30,0	10,0	11,0	35,0	6,0	PSA	0450	0300	100	C0
45,0	30,0	12,0	13,0	35,0	6,0	PSA	0450	0300	120	C0

D_{H9}	d_{hg}	h	$E_{-0,2}$	d_1^*	C	ARTIKEL / ITEM				
50,0	30,0	12,0	13,0	35,0	7,0	PSA	0500	0300	120	C0
50,0	32,0	10,0	11,0	37,0	6,5	PSA	0500	0320	100	C0
50,0	35,0	8,5	9,5	40,0	6,0	PSA	0500	0350	085	C0
50,0	35,0	10,0	11,0	40,0	6,0	PSA	0500	0350	100	C0
50,0	35,0	12,0	13,0	40,0	6,0	PSA	0500	0350	120	C0
50,0	40,0	5,0	5,5	44,0	5,0	PSA	0500	0400	050	C0
50,0	40,0	7,3	8,0	44,0	5,0	PSA	0500	0400	073	C0
50,0	40,0	10,0	11,0	44,0	5,0	PSA	0500	0400	100	C0
50,0	42,0	5,5	6,0	45,0	4,0	PSA	0500	0420	055	C0
50,0	42,0	8,0	9,0	45,0	4,0	PSA	0500	0420	080	C0
55,0	40,0	10,0	11,0	45,0	6,0	PSA	0550	0400	100	C0
56,0	45,0	7,0	8,0	50,0	6,0	PSA	0560	0450	040	C0
60,0	40,0	12,0	13,0	45,0	7,0	PSA	0600	0400	120	C0
60,0	45,0	10,0	11,0	50,0	6,0	PSA	0600	0450	100	C0
60,0	45,0	12,0	13,0	50,0	6,0	PSA	0600	0450	120	C0
60,0	50,0	7,0	8,0	54,0	5,0	PSA	0600	0500	070	C0
60,0	50,0	10,0	11,0	54,0	5,0	PSA	0600	0500	100	C0
63,0	43,0	12,0	13,0	47,0	7,0	PSA	0630	0430	120	C0
63,0	45,0	12,0	13,0	50,0	6,0	PSA	0630	0450	120	C0
63,0	48,0	6,5	7,5	53,0	6,5	PSA	0630	0480	065	C0
63,0	48,0	10,0	11,0	53,0	6,0	PSA	0630	0480	100	C0
63,0	48,0	12,0	13,0	53,0	6,0	PSA	0630	0480	120	C0
63,0	53,0	6,0	7,0	57,0	5,0	PSA	0630	0530	060	C0
63,0	53,0	7,0	8,0	57,0	5,0	PSA	0630	0530	070	C0
63,0	53,0	12,0	13,0	57,0	5,0	PSA	0630	0530	120	C0
65,0	45,0	12,0	13,0	50,0	7,0	PSA	0650	0450	120	C0
65,0	50,0	10,0	11,0	55,0	6,0	PSA	0650	0500	100	C0
65,0	50,0	12,0	13,0	55,0	6,0	PSA	0650	0500	120	C0
70,0	40,0	11,0	12,0	45,0	7,0	PSA	0700	0400	110	C0
70,0	50,0	12,0	13,0	55,0	7,0	PSA	0700	0500	120	C0
70,0	55,0	9,5	10,5	60,0	6,0	PSA	0700	0550	095	C0
70,0	55,0	12,0	13,0	60,0	6,0	PSA	0700	0550	120	C0
70,0	60,0	6,0	7,0	64,0	5,0	PSA	0700	0600	060	C0
70,0	60,0	7,0	8,0	64,0	5,0	PSA	0700	0600	070	C0
70,0	60,0	12,0	13,0	64,0	5,0	PSA	0700	0600	120	C0
70,0	62,0	7,5	8,5	65,0	4,5	PSA	0700	0620	075	C0
75,0	55,0	13,5	14,5	60,0	7,0	PSA	0750	0550	135	C0
75,0	65,0	7,0	8,0	69,0	5,0	PSA	0750	0650	070	C0
75,0	65,0	10,0	11,0	69,0	5,0	PSA	0750	0650	100	C0
80,0	60,0	12,0	13,0	65,0	7,0	PSA	0800	0600	120	C0
80,0	64,0	12,0	13,0	69,0	6,0	PSA	0800	0640	120	C0
80,0	65,0	12,0	13,0	70,0	6,0	PSA	0800	0650	120	C0
80,0	68,0	8,5	9,5	72,0	5,5	PSA	0800	0680	085	C0
80,0	70,0	6,0	7,0	74,0	5,0	PSA	0800	0700	060	C0
80,0	70,0	7,0	8,0	74,0	5,0	PSA	0800	0700	070	C0

D_{H9}	d_{hg}	h	$E_{-0,2}$	d_1^*	C	ARTIKEL / ITEM				
80,0	70,0	12,0	13,0	74,0	5,0	PSA	0800	0700	120	C0
85,0	65,0	12,0	13,0	70,0	7,0	PSA	0850	0650	120	C0
85,0	65,0	13,5	14,5	70,0	7,0	PSA	0850	0650	135	C0
85,0	70,0	12,0	13,0	75,0	6,0	PSA	0850	0700	120	C0
85,0	75,0	10,0	11,0	79,0	5,0	PSA	0850	0750	100	C0
90,0	70,0	12,0	13,0	75,0	7,0	PSA	0900	0700	120	C0
90,0	70,0	13,5	14,5	75,0	7,0	PSA	0900	0700	135	C0
90,0	75,0	12,0	13,0	80,0	6,0	PSA	0900	0750	120	C0
90,0	80,0	10,0	11,0	84,0	5,0	PSA	0900	0800	100	C0
95,0	80,0	12,0	13,0	85,0	6,0	PSA	0950	0800	120	C0
95,0	85,0	7,0	8,0	89,0	5,0	PSA	0950	0850	070	C0
100,0	80,0	10,0	11,0	85,0	7,0	PSA	1000	0800	100	C0
100,0	80,0	12,0	13,0	85,0	7,0	PSA	1000	0800	120	C0
100,0	85,0	12,0	13,0	90,0	6,0	PSA	1000	0850	120	C0
100,0	88,0	8,5	9,5	93,0	5,5	PSA	1000	0880	085	C0
100,0	90,0	7,0	8,0	94,0	5,0	PSA	1000	0900	070	C0
100,0	90,0	8,0	9,0	94,0	5,0	PSA	1000	0900	080	C0
105,0	90,0	12,0	13,0	95,0	6,0	PSA	1050	0900	120	C0
110,0	90,0	12,0	13,0	95,0	7,0	PSA	1100	0900	120	C0
110,0	95,0	12,0	13,0	100,0	6,0	PSA	1100	0950	120	C0
110,0	100,0	8,0	9,0	105,0	6,0	PSA	1100	1000	080	C0
115,0	95,0	15,0	16,0	105,0	7,0	PSA	1150	0950	150	C0
115,0	100,0	12,0	13,0	105,0	6,0	PSA	1150	1000	120	C0
120,0	100,0	12,0	13,0	105,0	7,0	PSA	1200	1000	120	C0
120,0	105,0	12,0	13,0	110,0	6,0	PSA	1200	1050	120	C0
125,0	100,0	15,0	16,0	105,0	8,0	PSA	1250	1000	150	C0
125,0	105,0	12,0	13,0	110,0	7,0	PSA	1250	1050	120	C0
125,0	105,0	15,0	16,0	110,0	7,0	PSA	1250	1050	150	C0
125,0	110,0	10,0	11,0	115,0	6,0	PSA	1250	1100	100	C0
130,0	110,0	15,0	16,0	115,0	7,0	PSA	1300	1100	150	C0
140,0	120,0	12,0	13,0	125,0	7,0	PSA	1400	1200	120	C0
140,0	120,0	15,0	16,0	125,0	7,0	PSA	1400	1200	150	C0
150,0	130,0	15,0	16,0	135,0	7,0	PSA	1500	1300	150	C0
160,0	140,0	11,5	12,5	145,0	7,0	PSA	1600	1400	115	C0
160,0	140,0	15,0	16,0	145,0	7,0	PSA	1600	1400	150	C0
180,0	160,0	11,5	12,5	165,0	7,0	PSA	1800	1600	115	C0
180,0	160,0	15,0	16,0	165,0	7,0	PSA	1800	1600	150	C0
200,0	170,0	19,0	20,0	175,0	8,0	PSA	2000	1700	190	C0
200,0	180,0	12,0	13,0	185,0	8,0	PSA	2000	1800	120	C0
220,0	200,0	15,0	16,0	205,0	8,0	PSA	2200	2000	150	C0
250,0	220,0	19,0	20,0	225,0	8,0	PSA	2500	2200	190	C0