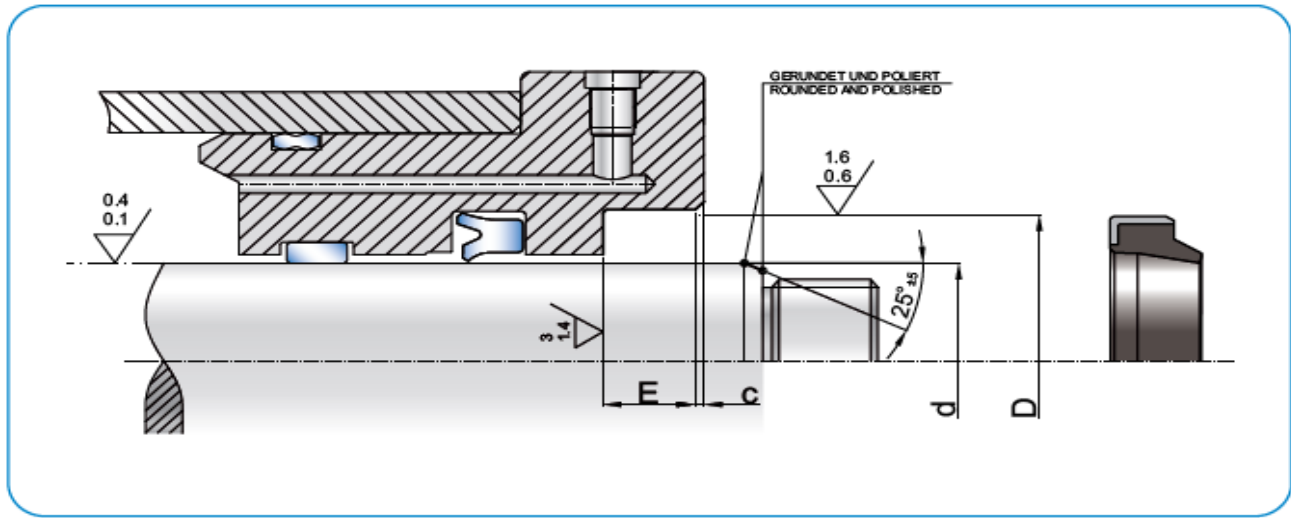
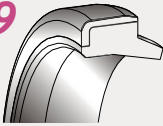


R 09



d_{H9}	D_{H10}	Toll.	$E_{+0,2}$	C	ARTIKEL / ITEM
20,0	30,0	0	4,0	0,8	R09 0200 0300 040 NG
20,0	30,0	+0,033	5,0	1,0	R09 0200 0300 050 NG
* 20,0	30,0		7,0	1,5	R09 0200 0300 070 NG
22,0	30,0	0	4,0	0,8	R09 0220 0300 040 NG
22,0	32,0	+0,039	5,0	1,0	R09 0220 0320 050 NG
* 22,0	32,0		7,0	1,5	R09 0220 0320 070 NG
25,0	35,0	0	5,0	1,5	R09 0250 0350 050 NG
* 25,0	35,0	+0,039	7,0	1,5	R09 0250 0350 070 NG
28,0	38,0		5,0	1,0	R09 0280 0350 050 NG
28,0	38,0	0	7,0	1,5	R09 0280 0380 070 NG
30,0	40,0	+0,039	5,0	1,0	R09 0300 0400 050 NG
30,0	40,0		7,0	1,5	R09 0300 0400 070 NG
32,0	42,0	0	5,0	1,0	R09 0320 0420 050 NG
32,0	42,0	+0,039	7,0	1,5	R09 0320 0420 070 NG
35,0	45,0		5,0	1,0	R09 0350 0450 050 NG
* 35,0	45,0	0	7,0	1,5	R09 0350 0450 070 NG
36,0	46,0	+0,039	5,0	1,0	R09 0360 0460 050 NG
38,0	48,0		7,0	1,0	R09 0380 0480 070 NG
40,0	50,0	0	5,0	1,0	R09 0400 0500 050 NG
* 40,0	50,0	+0,046	7,0	1,5	R09 0400 0500 070 NG
42,0	52,0		7,0	1,5	R09 0420 0520 070 NG

d_{H9}	D_{H10}	Toll.	$E_{+0,2}$	C	ARTIKEL / ITEM	
45,0	55,0	0	7,0	1,5	R09 0450 0550 070 NG	
50,0	56,0	+0,046	5,0	1,0	R09 0500 0560 050 NG	
R09	50,0	60,0		5,0	1,0	R09 0500 0600 050 NG
* 50,0	60,0		7,0	1,5	R09 0500 0600 070 NG	
55,0	65,0	0	7,0	1,5	R09 0550 0650 070 NG	
* 56,0	66,0	+0,046	7,0	1,5	R09 0560 0660 070 NG	
60,0	70,0		5,0	1,0	R09 0600 0700 050 NG	
60,0	70,0	0	7,0	1,5	R09 0600 0700 070 NG	
65,0	75,0	0,046	7,0	1,5	R09 0650 0750 070 NG	
* 70,0	80,0		7,0	1,5	R09 0700 0800 070 NG	
75,0	85,0	0	7,0	1,5	R09 0750 0850 070 NG	
* 80,0	90,0	+0,054	7,0	1,5	R09 0800 0900 070 NG	
85,0	95,0		7,0	1,5	R09 0850 0950 070 NG	
* 90,0	100,0	0	7,0	1,5	R09 0900 1000 070 NG	
95,0	105,0	+0,054	7,0	1,5	R09 0950 1050 070 NG	
100,0	110,0		7,0	1,5	R09 1000 1100 070 NG	
110,0	120,0	0	7,0	1,5	R09 1100 1200 070 NG	
120,0	130,0	+0,063	7,0	1,5	R09 1200 1300 070 NG	
140,0	155,0		9,0	1,5	R09 1400 1550 090 NG	

Remark: please contact our technical dept. for further dimensions not included in the catalogue.